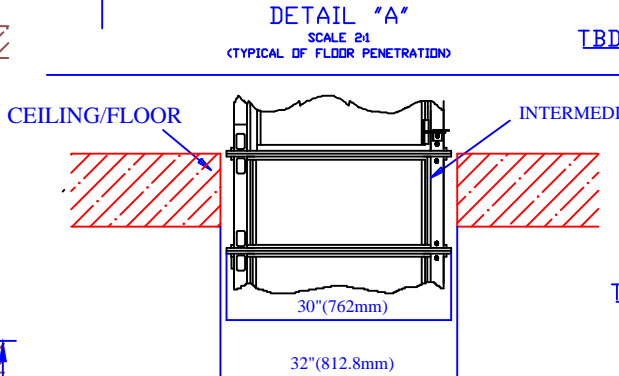
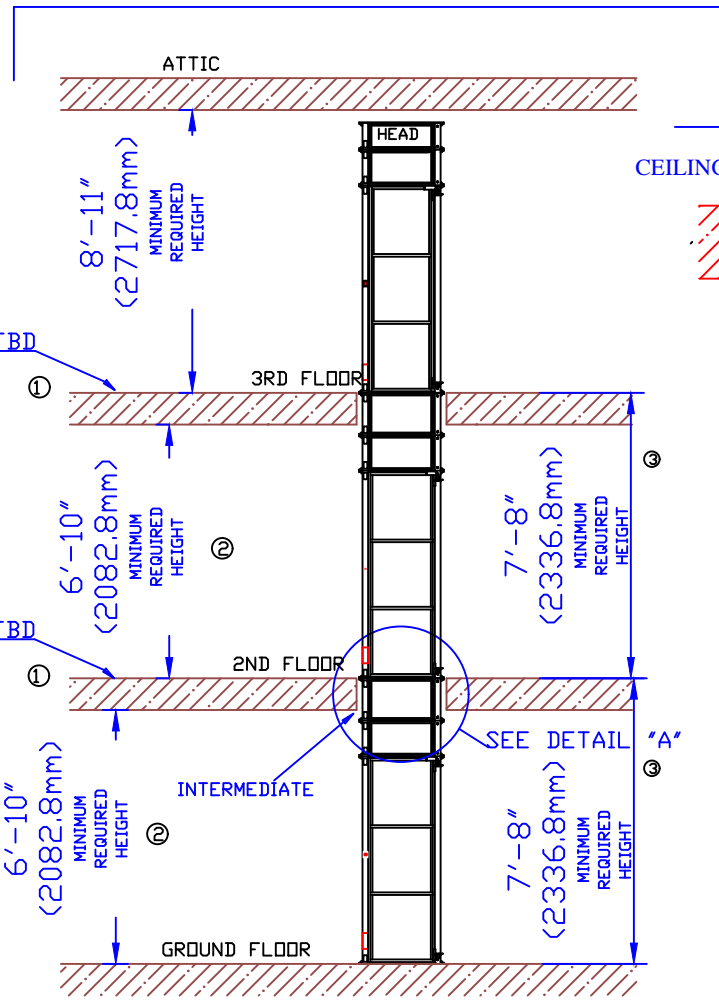


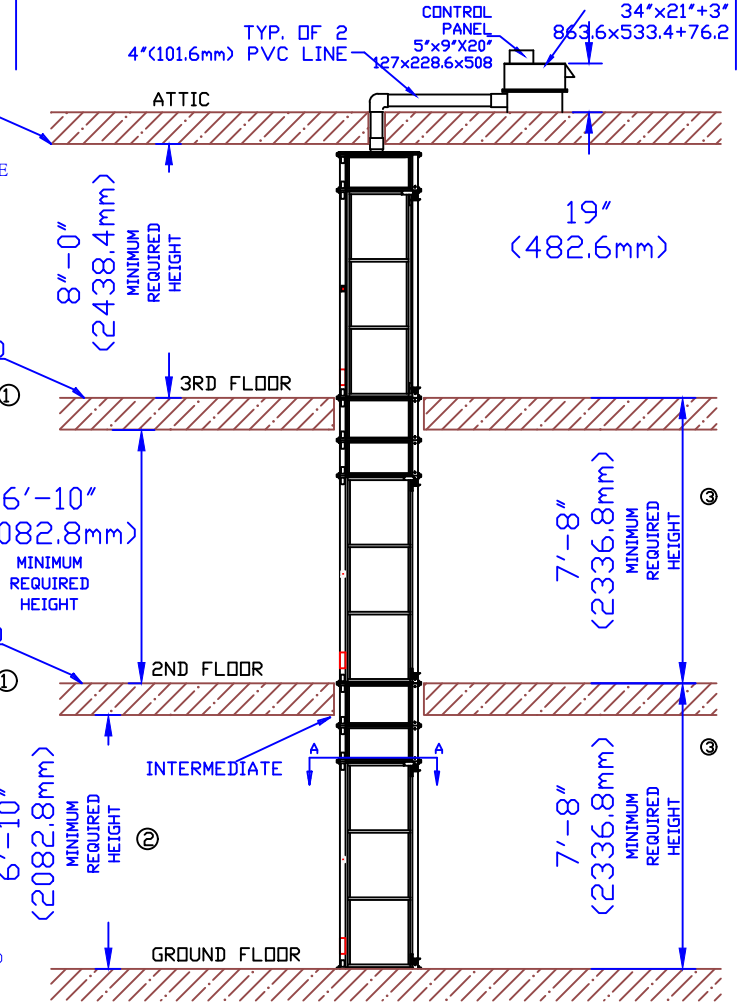
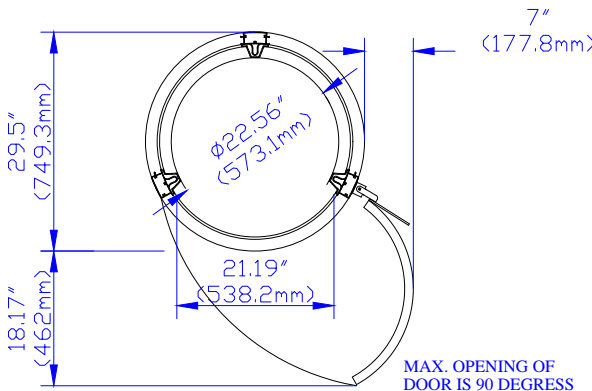
TYPICAL SETUP

OPTION: REMOTE LOCATION OF HEAD UNIT



- NOTE:
- ① INTERMEDIATE CYLINDER IS CUSTOM MADE AS FLOOR THICKNESS MAY VARY FROM HOME TO HOME.
 - ② MINIMUM ALLOWABLE CEILING HEIGHT(S) IS 6'-10" FOR DOOR TO FULLY SWING OPEN
 - ③ MINIMUM FLOOR TO FLOOR HEIGHT REQUIRED IS 7'-8"
 - ④ INTERNAL DIAMETER OF CABIN WITHOUT THE COLUMNS IS 32" AND THE INTERNAL CABIN HEIGHT IS 6'-7"
 - ⑤ DOOR WIDTH IS 23 1/2"
 - ⑥ MAX. ELEVATOR HEIGHT IS 50' OF TOTAL TRAVEL

VIEW "A-A"



Information contained herein is the property of Pneumatic Vacuum Elevators LLC. No reproduction or disclosure of this information may be made by the recipient to any person or organization without the written consent of Pneumatic Vacuum Elevators LLC.

	TYPICAL HOME INSTALLATION FOR A 3STOP ELEVATOR				
	Designed by RL	Scale NTS	Drawing No. D-30-3CYL3	Rev 0	Date 11/22/19